



INSTALLATION INSTRUCTIONS

TRAILER HITCH RECEPTACLE and ISOLATOR WIRING HARNESS

For all 1997-up FLH Touring and Softail Heritage models w/KW hitch

Mfg. p/n 720582, 720583, 720584

(See pkg. label for Dist. p/n)

ATTENTION INSTALLER (if other than owner):

Please forward this instruction sheet and the warranty card to the purchaser of this product. These instructions also contain valuable information necessary to the end user.

INTRODUCTION:

These instructions describe the procedure for properly installing a KHROME WERKS® Trailer Hitch Receptacle and wiring harness with isolator module on 1997-up FLH Touring and Softail Heritage models equipped with a Khrome Werks Trailer Hitch. Review instructions carefully before beginning, as they contain important information. Please retain for future reference.

Particularly important information is distinguished in these instructions by the following notations:

NOTE: A NOTE provides key information to make procedures easier or clearer.

CAUTION: A CAUTION indicates special procedures that must be followed to avoid damage to the motorcycle or accessories.

WARNING: A WARNING indicates special procedures that must be followed to avoid injury or death to a motorcycle operator or person inspecting or repairing the motorcycle.

All Models:

CAUTION: This kit will not directly function with trailers that have automotive combination tail, stop and turn signal lights (four wire system). The use of a turn signal converter is also required.

TYPICAL TOOLS REQUIRED:

- | | |
|----------------------------------|-----------------------------|
| 1 . #2 Phillips screwdriver | 1 . terminal crimper |
| 1 . wire stripper | 1 . 10mm combination wrench |
| 1 . side cutter | |
| 1 . 5/32+flat blade screw driver | |
- Supplies: Silicone sealer

PROCEDURE:

1. Remove seat. Wiring harness may be routed to the 5 pin female connector down either side of the rear fender. One side or the other may allow for the more natural flow of the harness to the connector depending on the mounting position of the module. Remove appropriate saddle bag.

WARNING: Disconnect battery cables (negative cable first) to prevent short circuits before performing following procedures.

2. Find a suitable place under the seat or sidecover for the isolator module. (Some Softail models may have to be taped to the side of the rear fender just below the front end of the fender strut making sure contact with the rear suspension is not possible). Tie wrap or two way tape in place. **CAUTION:** Make sure there is adequate clearance between the seat/side cover and the module. Disconnect the factory plugs leading to the rear lighting.

Connect the two (2) plugs located on one end of the module between the factory plugs to the rear lighting. The single red wire from the module needs to be joined to the inline fuse holder wire and then routed to battery positive. Determine correct length and crimp the wires together. Better to leave a little long in the event that rerouting is necessary. Do not connect to the battery at this time.

3. Install the 5 pin receptacle (Ref 1) and bracket (Ref 2) to the bottom of the hitch safety chain bracket with the supplied screws (Ref 3) and nuts (Ref 4). Do not tighten.

4. Connect the plug from the supplied wiring harness to the remaining plug on the end of the module. Carefully route the wiring harness along the fender struts to the 5 pin connector. Secure with tie wraps. See hitch instructions for model specific guidelines.

WARNING: Make sure wiring harness cannot make contact with exhaust, rear wheel, brake rotor, caliper, shocks and drive chain or belt.

5. Cut the wires and housing to the right length after determining satisfactory routing to the receptacle. Remove the receptacle and bracket from the hitch. Loosen the external set screw and disassemble the male plug inside the receptacle (note the index of the plug to the receptacle housing). Install the wire harness through the receptacle housing.

CAUTION: Make sure the receptacle's internal plastic sleeve remains in place to insure that the connected wires do not directly contact the metal housing.

Strip the wire insulation (short as possible) and connect to the plug. Red wire is stop light, Blue is taillight, Black is ground, Purple is left turn signal, Brown is right signal. If your trailer is already wired with a 5 pin plug make sure it is compatible with the supplied receptacle connector; if so, wire to match (trailer wire colors may be different). If not, we have provided a suggested connection diagram to insure that the wiring is correct. Both connectors need to be wired the same. Index and insert the plug into the receptacle housing and install the set screw. Seal the back of the plug with silicone. Reinstall the assembled receptacle and bracket to the hitch.

6. Repeat the procedure to wire the trailer plug (Ref 5). Insure that the trailer's wiring harness is long enough to allow the tightest turn possible.

7. Reconnect the battery (positive first) and test lights and signals. Install seat and saddlebags.

Hooking up your trailer:

8. Lubricate ball and connect trailer, close and secure coupler lever with safety pin or lock. Connect safety chains and test lights. Torque all mounting hardware after first usage.

KHROME WERKS®

P.O. BOX 355 • New Prague, MN 56071

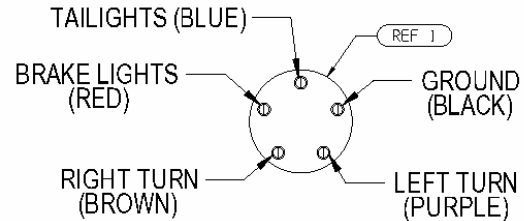
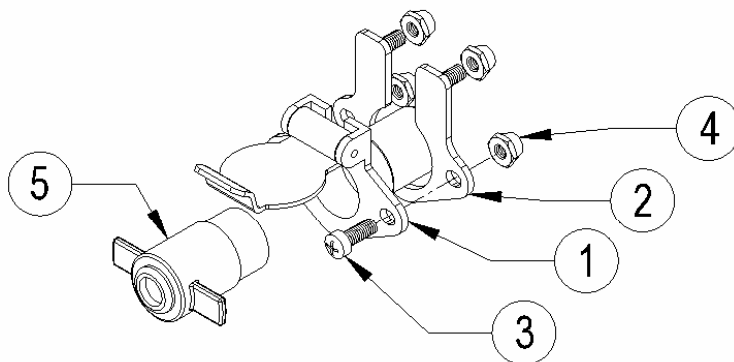
INSTALLATION INSTRUCTIONS

TRAILER HITCH RECEPTACLE and ISOLATOR WIRING HARNESS

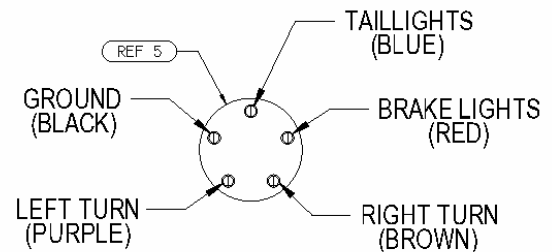
For all 1997-up FLH Touring and Softail Heritage
models w/KW hitch

Mfg. p/n 720582, 720583, 720584

(See pkg. label for Dist. p/n)



VIEWED FROM THE WIRE SCREW TERMINAL
SIDE OF MALE HITCH RECEPTACLE PLUG.
TO INSURE CORRECT INDEXING ORIENT
SLOT IN PLUG WITH RIB IN HOUSING.



VIEWED FROM THE WIRE SCREW TERMINAL
SIDE OF THE FEMALE TRAILER PLUG.
TO INSURE CORRECT INDEXING
ORIENT SLOT IN PLUG WITH RIB
IN HOUSING.

BILL OF MATERIALS			
Ref.#	Mfg. P/N	Description	Qty Per
720582	720587	Wiring isolator harness plug-n-play, 8-pin Amp Multilock with inline fuse	1
720583	720588	Wiring isolator harness plug-n-play, 8-pin Molex with inline fuse	
720584	720589	Wiring isolator harness plug-n-play, 6-pin Molex with inline fuse	
1 & 5	708132	5-pin trailer male/female connector	1
2	680793A	Connector Plate with 10-32 studs	1
3	424124	Screw, 10-32 x ½+Phillips	2
4	420102	Nut, 10-32 Keps	4

KHROME WERKS®
P.O. BOX 355 • New Prague, MN 56071