



INSTALLATION INSTRUCTIONS
SADDLEBAG SUPPORT KIT
FOR 1994-2003 XL 883 & 1200 MODELS
Mfg. p/n 110875B
(See pkg. label for Dist. p/n)

ATTENTION INSTALLER (if other than owner):

Please forward this instruction sheet and the warranty card to the purchaser of this product. These instructions also contain valuable information necessary to the end user.

INTRODUCTION:

These instructions describe the procedure for properly installing KHROME WERKS® Saddlebag Support kit onto 1994-2003 Harley-Davidson® XL Sportster® models. Review instructions carefully before beginning, as they contain important information. Please retain for future reference.

Particularly important information is distinguished in these instructions by the following notations:

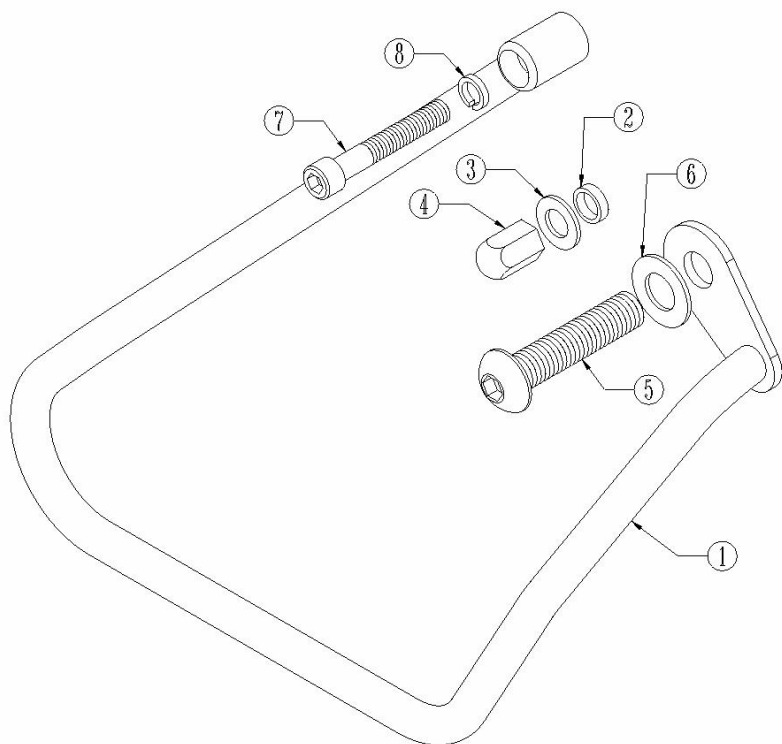
NOTE: A NOTE provides key information to make procedures easier or clearer.

CAUTION: A CAUTION indicates special procedures that must be followed to avoid damage to the motorcycle or accessories.

WARNING: A WARNING indicates special procedures that must be followed to avoid injury or death to a motorcycle operator or person inspecting or repairing the motorcycle.

TOOLS REQUIRED:

- 1 . ¼+hex key wrench
- 1 . ½+combination wrench
- 1 . ¾+combination wrench
- 1 . Torque wrench
- 1 . 11/16+combination wrench
- #242 Loctite (blue)



PROCEDURE:

CAUTION: Depending on the size of the saddlebags you use, it may be necessary to relocate the rear turn signals further back. Harley-Davidson® sells a Directional Set-Back Kit, if needed.

CAUTION: Perform installation on one side at a time. Support motorcycle when removing shock screws.

1. **1994-99 models:** Remove upper shock absorber nut, washer, shock cover and backing washer. Save nut and washer and discard shock cover and backing washer. **2000-03 models:** Remove upper shock bolt, washer and shock cover and save washer.

NOTE: Do not remove stock inboard washer that is positioned behind shock cover and against shock absorber.

2. **All models:** Remove OEM buttonhead screw and flanged nut directly to the rear of the upper shock mount on fender support. Note T-spacer in fender support. Save nut and discard bolt.

3. **1994-99 models:** Position saddlebag support (item 1) with front bracket over shock stud and rear mount over hole in fender support. Install ½" bushing (Item 2) over shock stud and into hole of support front mount. Install saved OEM nut and washer (items 3,4) and tighten securely. **2000-03 models:** Apply Loctite to the OEM shock screw (Item 5) and install through the saved washer (Item 6), front bracket of the saddlebag support (Item 1), shock and into the frame. Tighten to 21-35 ft.-lbs torque.

NOTE: If installing supports with sissy bar side plates, omit 5/16+ lock washer (Item 8). H-D sissy bar side plate mounts between fender support and fender. Khrome Werks® sissy bar plate mounts outboard of fender support.

CAUTION: Be careful to not dislodge T-spacer from its position in fender while inserting screw through fender support and fender.

4. Insert supplied socket head cap screw (Item 7) and lock washer (Item 8) (if applicable) through the rear saddlebag support mount, sissy bar side plate (if applicable), fender with T-spacer and frame. Apply Loctite to the saved flanged nut and secure. Tighten to 8-13 ft-lbs torque.

WARNING: Make sure that rear screw is fully engaged into nut, but not able to contact rear tire when rear shocks are compressed.

WARNING: Check saddlebag support clearance for proper operation of shock while suspension is compressed.

5. Repeat for other side.

WARNING: Saddlebags must be secured to the supports with straps supplied by saddlebag manufacturer. Upon initial installation ensure that no parts of the bags or the mounting straps could interfere with operation of rear belt (or chain), shocks or wheel. We recommend throw-over saddlebags be mounting securely under the seat (not thrown over it). Periodically check straps to ensure proper installation.

USE AND CARE: Wash your accessories with the same care you use when washing your motorcycle. Use mild soap and water. DO NOT use abrasive chemicals or cleaners, or high pressure washers.

KHROME WERKS®

P.O. BOX 355 • New Prague, MN 56071