



INSTALLATION INSTRUCTIONS
TOURBOX LUGGAGE RACK
 For 1979-up FLH, FLT
 Mfg. p/n 720018A
 (See pkg. label for Dist. p/n)

ATTENTION INSTALLER (if other than owner):
 Please forward this instruction sheet and the warranty card to the purchaser of this product. These instructions also contain valuable information necessary to the end user.

INTRODUCTION:
 These instructions describe the procedure for properly installing KHROME WERKS® Tourbox Luggage Rack onto 1979-84 FLH, 1980-up FLT, HT equipped with King Tour-Pak. Review instructions carefully before beginning, as they contain important information. Please retain for future reference.

Particularly important information is distinguished in these instructions by the following notations:

NOTE: A NOTE provides key information to make procedures easier or clearer.

CAUTION: A CAUTION indicates special procedures that must be followed to avoid damage to the motorcycle or accessories.

WARNING: A WARNING indicates special procedures that must be followed to avoid injury or death to a motorcycle operator or person inspecting or repairing the motorcycle.

TOOLS REQUIRED:

- 1 7/16+combination wrench
- 1 ¼+drill bit
- 1 Drill
- 1 Masking tape
- 1 Marking pen

PROCEDURE:

NOTE: Luggage rack is properly positioned when it is centered side to side and front mounting feet are at least 2 ¾+ back from front of lid. Enough room should be given to passenger to rest elbows comfortably on backrest. Name plate is front of Luggage Rack.

WARNING:

Never carry more than 10 lbs. on rack because it can adversely affect handling.

1. Place masking tape on tour pack where mounting feet will be.
2. When Rack (item 1) is in desired position, hold firmly in position and draw circles onto masking tape around mounting feet.
3. Remove Rack. Draw an ✕ through center of each circle.
4. Using ¼+bit, drill through center of each ✕. Remove tape and any adhesive residue.

CAUTION:

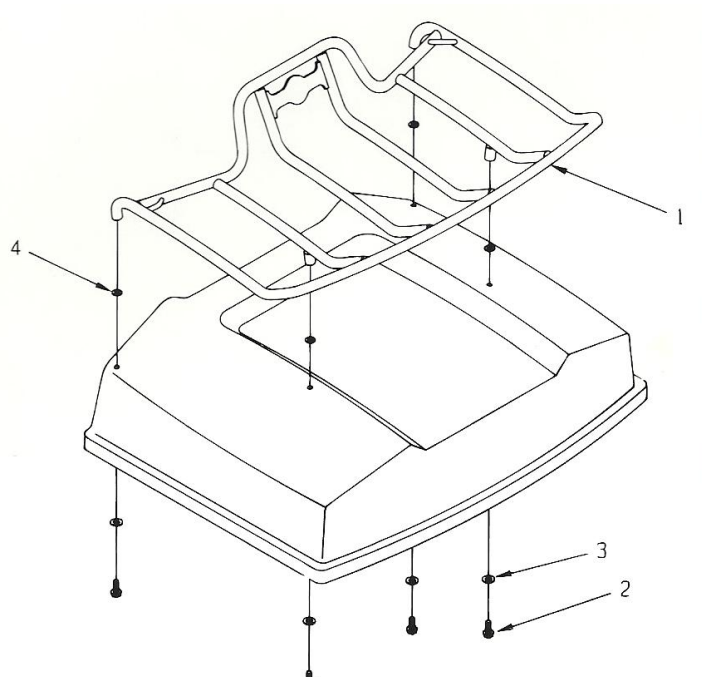
Remove all contents of tour pack to avoid possible damage while drilling. This will also allow for easier clean-up.

5. Install screw with washer (items 2,3) through lid from inside and install rubber washers (item 4) onto screw on outside of lid. Start threads into Luggage Rack (item 1).

6. Tighten screws until rubber washers are slightly compressed.
7. If an emblem is being installed, clean top of front cross plate thoroughly. Remove adhesive backing from emblem and install emblem onto cross plate. Use care not to touch adhesive.

CAUTION:

Do not use Luggage Rack for handle to open or close tour pack lid.
USE AND CARE: Wash your accessories with the same care you use when washing your motorcycle. Use mild soap and water. DO NOT use abrasive chemicals or cleaners, or high pressure washers.



BILL OF MATERIALS

Item	Mfg. P/N	Description	Qty.
1	7200181	Luggage Rack	1
2	420420	Screw, hex cap ¼+20 x 5/8+	4
3	420284	Washer, ¼+flat	4
4	710159	Washer, ¼+x ½+rubber	4
	287940	Emblem	1

KHROME WERKS®
P.O. BOX 355 • New Prague, MN 56071